



# HEAVY DUTY COMMERCIAL HOT PLATE

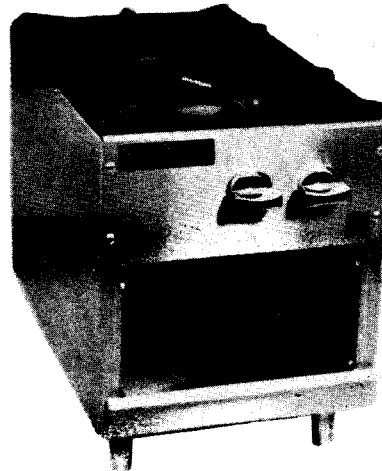
## OPERATION MANUAL

**AG 120**

**AG 120B**

### CONTENTS

- GAS DATA
- GENERAL SPECIFICATIONS
- UNPACKING AND INSPECTION
- INSTALLATION
- OPERATION
- MAINTENANCE
- ADJUSTMENTS
- PARTS LIST



### STANDARD FEATURES

1. 18 gauge aluminized steel unibody construction.
2. 18 gauge stainless steel front panel.
3. Durable cast iron burners.
4. Cast iron top grate.
5. Non-corrosive aluminum drip pan.
6. Supplied with adjustable N.S.F. listed legs.
7. Design A.G.A. certified and N.S.F. listed.
8. M.E.A. listed

### FOR YOUR SAFETY

DO NOT STORE OR USE GASOLINE OR OTHER FLAMMABLE VAPORS AND LIQUIDS IN THE VICINITY OF THIS OR ANY OTHER APPLIANCE.

THIS INSTALLATION MUST CONFORM WITH THE NATIONAL FUEL GAS CODE ANSI Z223.1 (Latest Edition).

WARNING: IMPROPER INSTALLATION, ADJUSTMENT, ALTERATION OR MAINTENANCE CAN RESULT IN PROPERTY DAMAGE, INJURY OR DEATH. READ THE INSTALLATION, OPERATION AND MAINTENANCE INSTRUCTIONS THOROUGHLY BEFORE INSTALLING OR SERVICING THIS EQUIPMENT.



## CECILWARE CORPORATION

43-05 20th Avenue, Long Island City, N.Y. 11105 • 718-932-1414

**FOR YOUR SAFETY**  
**DO NOT STORE OR USE GASOLINE OR OTHER FLAMMABLE VAPORS**  
**AND LIQUIDS IN THE VICINITY OF THIS OR ANY OTHER APPLIANCE.**

**SAFETY PRECAUTIONS**

**FOR YOUR SAFETY, THE FOLLOWING SAFETY PRECAUTIONS SHOULD BE FOLLOWED AND ENFORCED.**

Instructions must be posted in a prominent location and all safety precautions taken in the event the user smells gas. Obtain this information from your local gas supplier.

**1. IF YOU SMELL GAS:**

**A. OPEN WINDOWS**

**B. DON'T TOUCH ELECTRICAL SWITCHES**

**C. EXTINGUISH ANY OPEN FLAMES**

**D. IMMEDIATELY CALL YOUR GAS SUPPLIER**

2. LIGHTING — Follow the instructions on page 3 and on label attached to right side of unit.

3. Do not place combustibles or non-combustible materials in the vicinity of the hot plate as this could cause fires or obstruct air to the main burners.

4. This installation must conform with local codes, or in the absence of local codes, with the National Fuel Gas Code, ANSI Z223.1 latest edition.

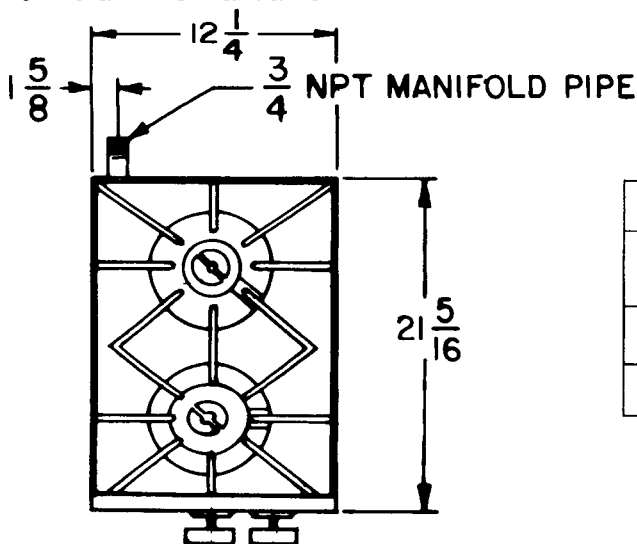
5. Provide adequate air supply and ventilation.

6. Provide adequate clearance for air openings into the combustion chamber.

7. Provide clearances for servicing and proper operation. Minimum clearance from combustible construction, 6" from side and 6" from back.

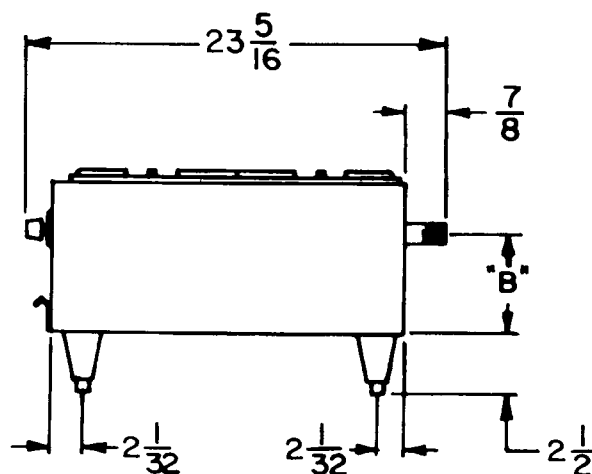
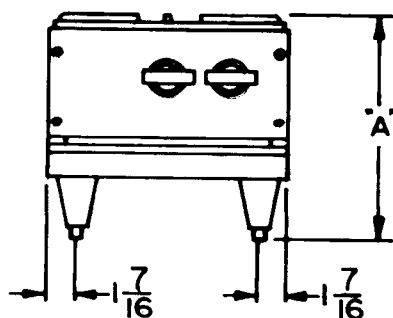
8. Hot plate must be disconnected from gas supply during any pressure testing of pipelines in excess of 1/2 psig, and isolated by turning off manual gas shut-off valve during any testing equal to or less than 1/2 psig.

9. Retain this manual for future reference.



General Data				Gas Data	
Model No.	Dim. A.	Dim. B.	Shipping Wt. (Lbs.)	Front Burner BTU/HR	Rear Burner BTU/HR
AG-120	11 3/4	4 1/4	55	10,000	7,000
AG-120B	16 3/4	9 3/4	65	10,000	7,000

Natural or Liquefied Propane Gas



# FOR QUALIFIED SERVICE PERSONS ONLY

## INSTALLATION INSTRUCTION

### UNPACKING AND INSPECTION:

Remove unit from container and immediately inspect it for damage due to exceptionally rough handling during shipping.

**NOTE:** Your unit was thoroughly inspected before leaving the factory and the carrier accepted and signed for it. File any claims for shipping damage or irregularities directly with the carrier, not with the company. Accessories shipped with each unit include:

- 1 - pressure regulator
- 1 - cast iron top grate
- 1 - drip pan
- 4 - 2½ adjustable legs
- 4 - 4" stainless steel adjustable legs are available as optional accessories.

### CAUTION:

Examine the gas specification label attached to the right side of the unit to be certain that the type of gas for which the unit is equipped is the same as the supply available.

### MOUNTING OF LEGS:

To install legs, tilt unit back and screw in two front legs. Mount rear legs by tilting unit forward.

### INSTALLATION:

This installation must be installed without alteration and in accordance with these printed instructions and applicable codes, and the National Fuel Gas Code, latest edition.

### CAUTION:

The unit should not be operated without first installing the legs, and they should **NOT BE REMOVED** under any circumstances. Select a location and level unit by turning the leg adjustment screws. To achieve the most satisfactory operational conditions, the unit should be placed under an adequate hood or canopy. The unit comes equipped with separate 3/4" NPT Pressure Regulator (4" W.C. for Natural Gas and 10" W.C. for Propane Gas). The regulator supplied must be installed directly to the manifold pipe protruding from the rear of the unit. **Insure that the regulator is installed so that the direction of the gas flow matches the direction of the arrow on the regulator body.** A manual gas shut off valve should be installed between the gas supply line and the regulator inlet. The size of the supply pipe to the unit is very important for peak performance. Check with your local gas company as to the proper pipe size. Use a pipe compound resistant to L.P. gases on all threaded joints. Check for gas leaks with soap solution before attempting to light the unit.

Remove the plastic tie from the burner and inspect the burner to see that it is properly seated on the supporting bracket, and also properly located on the burner orifices. The unit is now ready for lighting.

### LIGHTING AND OPERATION:

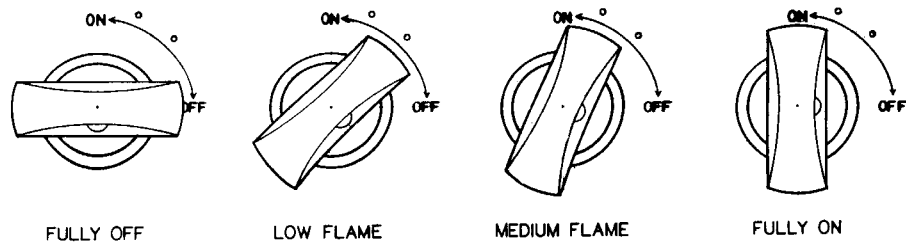
These instructions are to be followed for installation only. For normal operation, follow the simple instructions on the label attached to the right side of the unit.

1. Make sure burner valves are turned to "OFF" or horizontal position.
2. Turn on main gas supply valve to unit.
3. Remove top grate and locate pilot adjustment valve on gas manifold pipe. Open valve by turning adjusting screw counter-clockwise and light pilot. Turn adjusting screw to obtain a 3/4" flame. Replace top grate

*Note: When the unit is being lit for the first time it may take a little longer to light the pilot until the air is purged out of the system.*

4. Turn burner valves counter-clockwise to "ON" position to ignite burners.
5. To turn unit off, turn burner valves clockwise to "OFF" position.
6. To re-light unit, shut off all gas and wait five (5) minutes before re-lighting pilot.
7. To completely shut down unit, turn burner valves to "OFF" position and close main gas valve.

**WARNING: If the pilot should become extinguished, turn off the main gas supply and vent the interior of the unit for five (5) minutes before attempting to re-light.**



**MAINTENANCE:**

Very little maintenance is required for this unit. Keep all exterior surfaces free of splashed grease and other dirt by washing regularly with hot water and soap. Rinse and wipe dry, then polish with a soft cloth.

**OUTSIDE SERVICE:**

Should you require help contact the factory, your factory representative, or your local service company.

**FOR QUALIFIED SERVICE PERSONS ONLY**

When servicing of unit is required, contact a qualified service agency.

**ADJUSTMENTS:**

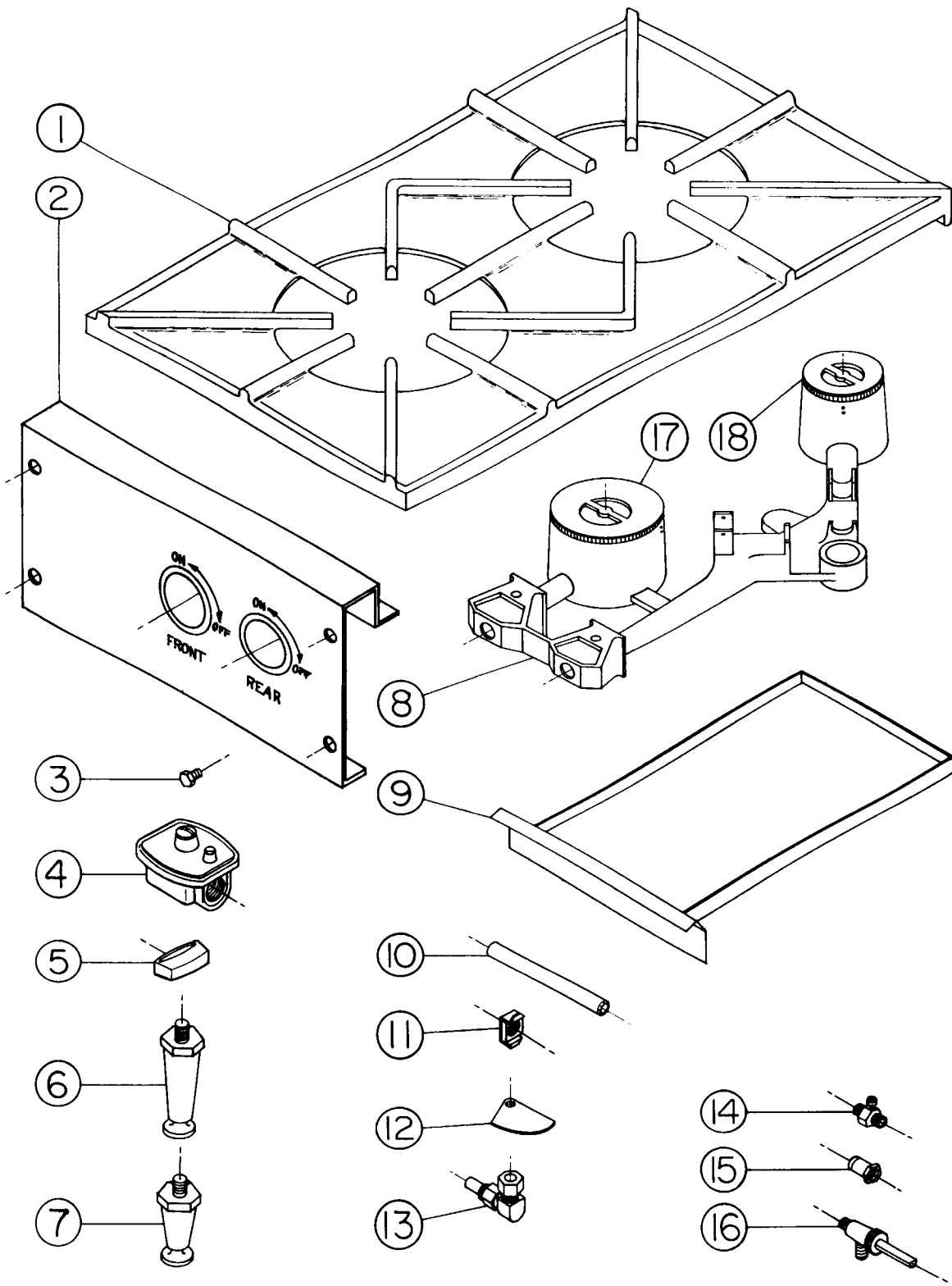
1. **To adjust burner flame:** remove top grate, loosen slotted screw on top of burner venturi and rotate air shutter slowly until flame with soft blue inner cone is obtained. Replace top grate.

2. **To adjust pilot flame:** remove top grate and locate pilot light adjustment valve on gas manifold pipe and turn adjusting screw to obtain a 3/4" flame. Replace top grate.

**MAINTENANCE:**

The main burner can be removed from the top of the unit when the top grate is removed. The burner should be cleaned both inside the venturi portion and on the outside using a soft bristle brush. The burner caps should also be removed and the caps and their seatings cleaned with the brush. The pilot should be cleaned to ensure proper ignition. The main burner and top grate must be replaced into the same position as prior to removal. Once a year a qualified service agency should be contacted to inspect the appliance for safe and proper operation.

Parts List		
Item #	Description	AG-120/AG-120B
1	Top Grate	S018A
2	Front Panel	T609A
3	Brass Plug	K044A
4	Gas Pressure Regulator (Natural)	L053A
	Gas Pressure Regulator (Propane)	L203A
5	Gas Valve Knob	M003A
6	4" Stainless Steel Adjustable Leg (1 Set) Opt.	M005A
7	2½" Adjustable Leg (1 Set)	M034A
8	Burner Assembly (Complete)	G078A
9	Drip Pan Assembly	V176Q
10	4" Pilot Flash Tube	F066A
	4½" Pilot Flash Tube	F071A
11	Nut Retainer	P297A
12	Air Shutter	F065A
13	Pilot Burner (Natural)	X072A
	Pilot Burner (Propane)	X002A
14	Pilot Light Adjustment Valve	F019A
15	Front Burner Brass Gas Orifice (Natural)	F197A
	Rear Burner Brass Gas Orifice (Natural)	F210A
	Front Burner Brass Gas Orifice (Propane)	F198A
	Rear Burner Brass Gas Orifice (Propane)	F222A
16	Brass Gas Valve	F196A
17	Front Burner Cap	G079A
18	Rear Burner Cap	G080A



### **WARRANTY**

Every Cecilware product has been carefully inspected before shipment. The finest of materials and the highest standards of workmanship have been built in to the equipment.

Within 1 year of purchase, should any Cecilware product show defect in factory workmanship or material, we agree to repair, at our option or replace without cost to user such parts which prove upon factory inspection to have been so defective. All equipment must be shipped transportation charges prepaid for acceptance. This warranty covers replacement parts only, labor charges are covered for 90 days after installation.

This warranty does not apply under the following conditions:

- neglect or abuse of equipment
- excessive lime condition
- improper installation
- any outside modification to equipment

Every Cecilware urn body is covered for three years. This warranty covers the stainless steel body and stainless steel liners only.

Portable equipment such as Electric Fryers, Food Warmers, Electric Stoves, Dispensers, Plug-In Urns, Coffee Brewers and Warmers must be returned to the factory or brought to an authorized service station for repair.